

Product overview

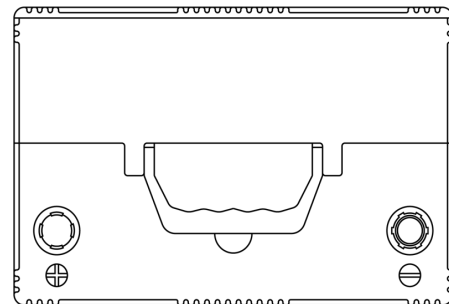
Batteries for Cars

Technica TB708

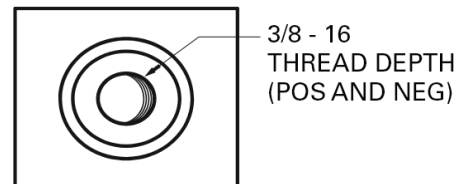


Part number	TB708
Technology	Flooded
EAN/GTIN	3661024057165
Voltage	12 V
Capacity	70.0 Ah
CCA	740 A
Length	260 mm
Width	180 mm
Height	186 mm
Box size	G78
Polarity	ETN 1
Terminal Type	SAE S 3/8" side Terminal
Hold Down	B7
Weights (subject of variation)	16.70 kg

Polarity



Terminal Type



Hold Down



Design, features and specifications are subject to change without notice. We disclaim any representation or warranty, express or implied, concerning the data or recommendations, and in no event shall be liable for any loss or damage claimed to have arisen as a result. Some products may not be available in your local market.