

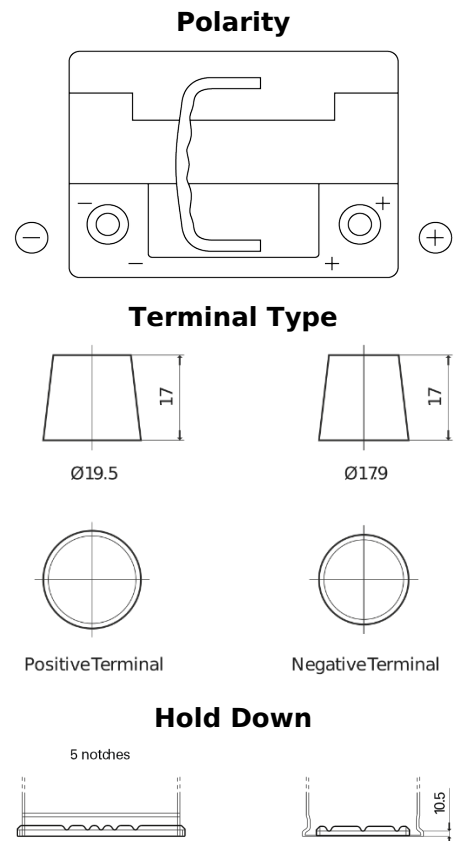
**Product overview**

Batteries for Cars

**AGM FK620**



Part number	FK620
Technology	AGM
EAN/GTIN	3661024047395
Voltage	12 V
Capacity	62.0 Ah
CCA	680 A
Length	242 mm
Width	175 mm
Height	190 mm
Box size	L02
Polarity	ETN 0
Terminal Type	EN taper post
Hold Down	B13
Weights (subject of variation)	17.90 kg



Design, features and specifications are subject to change without notice. We disclaim any representation or warranty, express or implied, concerning the data or recommendations, and in no event shall be liable for any loss or damage claimed to have arisen as a result. Some products may not be available in your local market.