

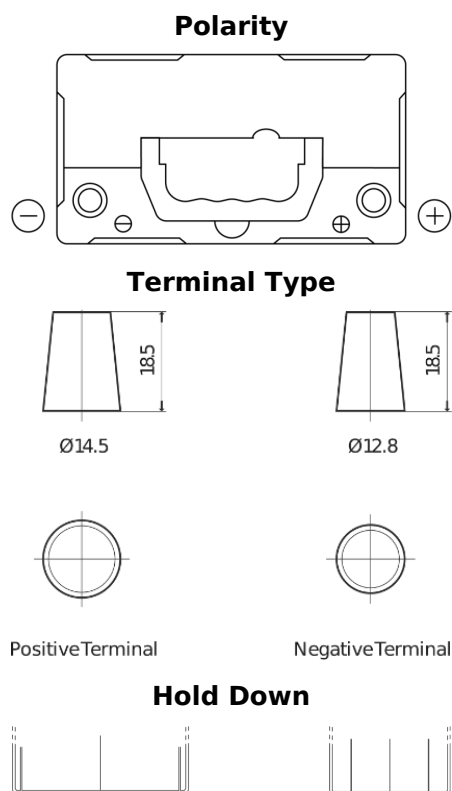
Product overview

Batteries for Cars

Technica TB456



| | |
|--------------------------------|----------------|
| Part number | TB456 |
| Technology | Flooded |
| EAN/GTIN | 3661024054355 |
| Voltage | 12 V |
| Capacity | 45.0 Ah |
| CCA | 330 A |
| Length | 237 mm |
| Width | 127 mm |
| Height | 227 mm |
| Box size | B24 |
| Polarity | ETN 0 |
| Terminal Type | JIS taper post |
| Hold Down | B0 |
| Weights (subject of variation) | 11.40 kg |



Design, features and specifications are subject to change without notice. We disclaim any representation or warranty, express or implied, concerning the data or recommendations, and in no event shall be liable for any loss or damage claimed to have arisen as a result. Some products may not be available in your local market.