

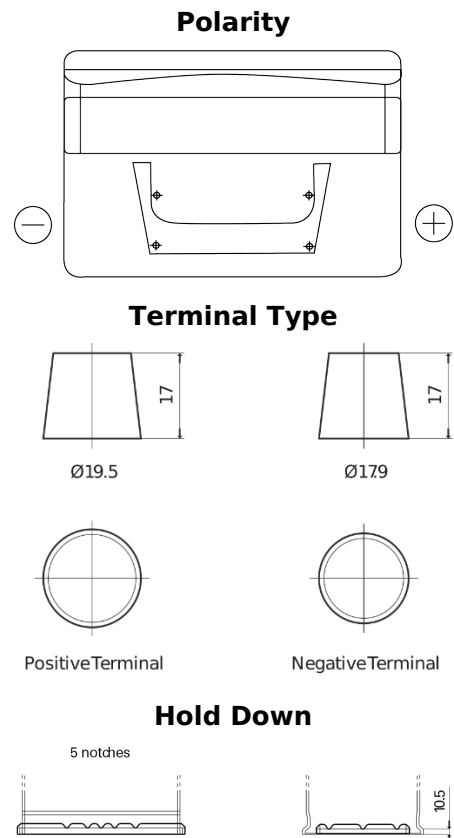
**Product overview**

Batteries for Cars

**Standard SC652**



Part number	SC652
Technology	Flooded
EAN/GTIN	3661024064866
Voltage	12 V
Capacity	65.0 Ah
CCA	540 A
Length	278 mm
Width	175 mm
Height	175 mm
Box size	LB3
Polarity	ETN 0
Terminal Type	EN taper post
Hold Down	B13
Weights (subject of variation)	14.50 kg



Design, features and specifications are subject to change without notice. We disclaim any representation or warranty, express or implied, concerning the data or recommendations, and in no event shall be liable for any loss or damage claimed to have arisen as a result. Some products may not be available in your local market.