

Product overview

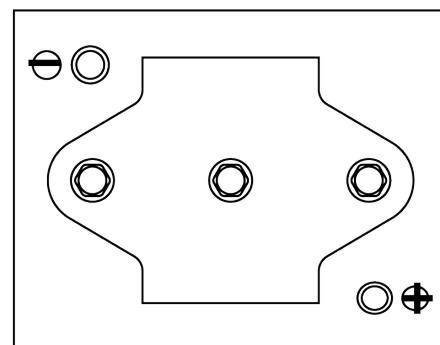
Batteries for Marine and Leisure

Equipment GEL ES1100-6

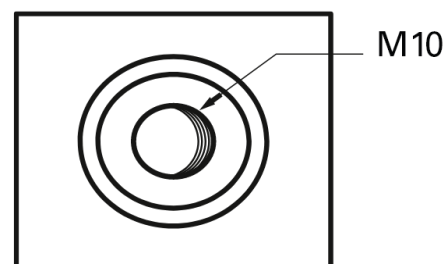


Part number	ES1100-6
Technology	GEL
EAN/GTIN	3661024035804
Voltage	6 V
Capacity	200.0 Ah
Watt hour	1100 Wh
Length	244 mm
Width	190 mm
Height	275 mm
Box size	GC2
Polarity	ETN 0
Terminal Type	M10 thread pos.and neg.
Hold Down	B0
Weights (subject of variation)	30.50 kg

Polarity



Terminal Type



Hold Down



Design, features and specifications are subject to change without notice. We disclaim any representation or warranty, express or implied, concerning the data or recommendations, and in no event shall be liable for any loss or damage claimed to have arisen as a result. Some products may not be available in your local market.