

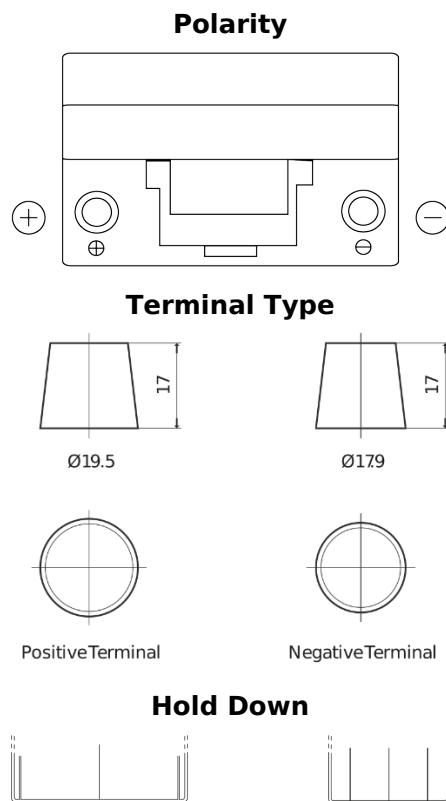
**Product overview**

Batteries for Marine and Leisure

**Dual EFB EZ650**



Part number	EZ650
Technology	EFB
EAN/GTIN	3661024037648
Voltage	12 V
Capacity	75 Ah
CCA	750 A
Watt hour	650 Wh
Length	260 mm
Width	173 mm
Height	222 mm
Box size	D26
Polarity	ETN 1
Terminal Type	EN taper post
Hold Down	B0
Weights (subject of variation)	19.00 kg



Design, features and specifications are subject to change without notice. We disclaim any representation or warranty, express or implied, concerning the data or recommendations, and in no event shall be liable for any loss or damage claimed to have arisen as a result. Some products may not be available in your local market.