



Product overview

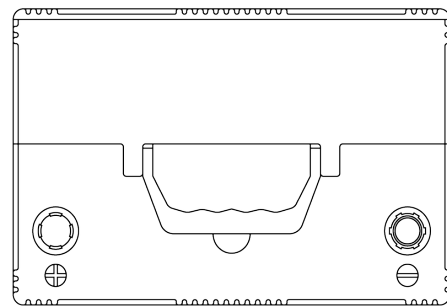
Batteries for Cars

Formula FB708

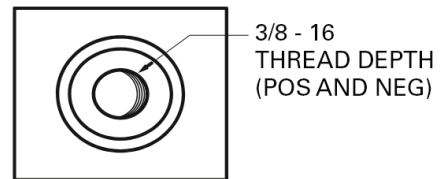


| | |
|--------------------------------|--------------------------|
| Part number | FB708 |
| Technology | Flooded |
| EAN/GTIN | 3661024046992 |
| Voltage | 12 V |
| Capacity | 70 Ah |
| CCA | 740 A |
| Length | 260 mm |
| Width | 180 mm |
| Height | 186 mm |
| Box size | G78 |
| Polarity | ETN 1 |
| Terminal Type | SAE S 3/8" side Terminal |
| Hold Down | B7 |
| Weights (subject of variation) | 16.70 kg |

Polarity



Terminal Type



Hold Down



Design, features and specifications are subject to change without notice. We disclaim any representation or warranty, express or implied, concerning the data or recommendations, and in no event shall be liable for any loss or damage claimed to have arisen as a result. Some products may not be available in your local market.