

# Sonnenschein A600 Solar

## Technical data sheet

### Technical features:

- Nominal capacity 294-3919 Ah C<sub>120</sub> (20 °C)
- Cycling performance at 20 °C (with IU charging):  
2400 cycles at 60% Depth of Discharge (C<sub>10</sub>) at 20 °C  
For enhanced performance and for systems ≥ 48 V we recommend IU charging, to reach 3000+ cycles at 20 °C
- Long shelf life up to 17 months at 20 °C without recharge due to the very low self discharge rate
- Also available as flame-retardant version on request  
UL 94 V-0

### Standards & certifications:

- Designed in accordance with IEC 61427 and IEC 60896-21/22
- Manufactured in Europe in our ISO 9001 certified production plants
- Trouble-free transport of operational cells, no restrictions for rail, road, sea, and air transportation (IATA, DGR, clause A67)
- Approval: UL (Underwriters Laboratories, USA), DNV GL (Germanischer Lloyd)



Nominal capacity  
294-3919 Ah C<sub>120</sub>



Single cell



Tubular  
plate



Recyclable



Valve regulated  
lead-acid  
batteries



Proof against  
deep discharge



Maintenance free  
(no topping up)



3000+ cycles\* at  
60% DoD C<sub>10</sub>

\*With IU charging, at 20 °C

### Technical characteristics and data

Type	Part number	Nom. voltage	Nominal capacity	Discharge current	Length	Width	Height	Height	Weight*	Terminal	Pole pairs
		V	C <sub>120</sub> 1.85 Vpc 20 °C Ah	I <sub>120</sub> A	(l) max. mm	(w) max. mm	(h1) max. mm	(h2) max. mm	approx. kg		
A602/295 Solar	NGS6020295HS0FC	2	294	2.45	105	208	357	399	17.4	F-M8	1
A602/370 Solar	NGS6020370HS0FC	2	367	3.05	126	208	357	399	22.0	F-M8	1
A602/440 Solar	NGS6020440HS0FC	2	440	3.66	147	208	357	399	25.0	F-M8	1
A602/520 Solar	NGS6020520HS0FC	2	519	4.32	126	208	473	515	30.0	F-M8	1
A602/625 Solar	NGS6020625HS0FC	2	623	5.19	147	208	473	515	35.0	F-M8	1
A602/750 Solar	NGS6020750HS0FC	2	727	6.05	168	208	473	515	39.0	F-M8	1
A602/850 Solar	NGS6020850HS0FC	2	845	7.06	147	208	648	690	49.0	F-M8	1
A602/1130 Solar	NGS6021130HS0FC	2	1126	9.42	212	193	648	690	66.0	F-M8	2
A602/1415 Solar	NGS6021415HS0FC	2	1408	11.7	212	235	648	690	80.0	F-M8	2
A602/1695 Solar	NGS6021695HS0FC	2	1689	14.1	212	277	648	690	95.0	F-M8	2
A602/1960C Solar	NGS6021960HS0FC	2	1994	16.3	212	277	717	759	106	F-M8	2
A602/2600 Solar	NGS6022600HS0FC	2	2613	21.7	216	400	775	816	149	F-M8	3
A602/3270 Solar	NGS6023270HS0FC	2	3266	27.2	214	489	774	816	190	F-M8	4
A602/3920 Solar	NGS6023920HS0FC	2	3919	32.6	214	578	774	816	238	F-M8	4

\* Actual weight may differ by ±5%

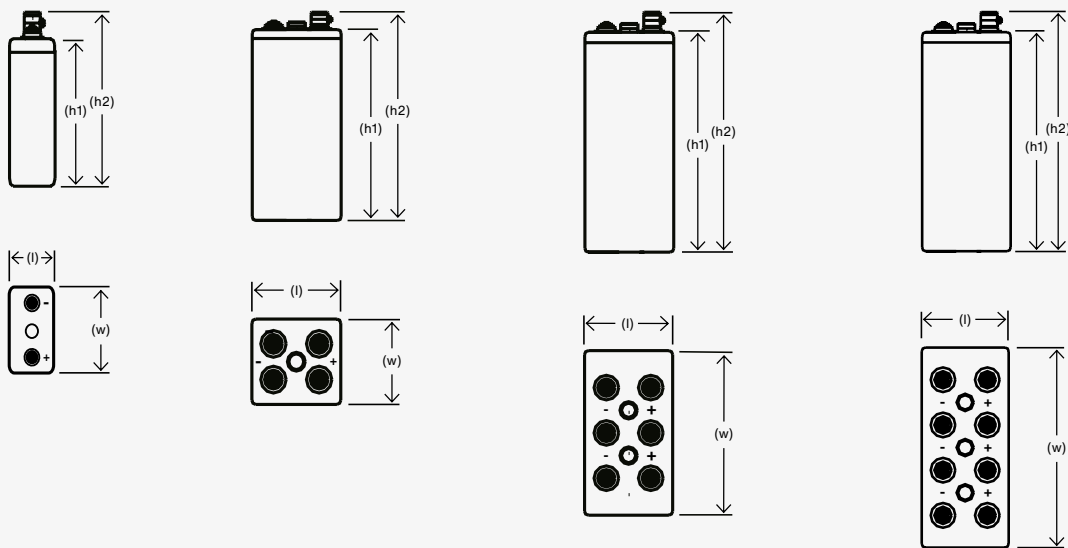
# Sonnenschein A600 Solar

## Technical data sheet

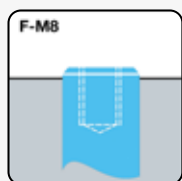
### Capacities $C_1 - C_{120}$ (20 °C) in Ah

Type	$C_1$	$C_3$	$C_5$	$C_{10}$	$C_{24}$	$C_{48}$	$C_{72}$	$C_{100}$	$C_{120}$
	1.67 Vpc	1.75 Vpc	1.77 Vpc	1.80 Vpc	1.80 Vpc	1.80 Vpc	1.80 Vpc	1.85 Vpc	1.85 Vpc
A602/295 Solar	124	167	193	217	248	273	289	285	294
A602/370 Solar	155	209	241	272	310	342	362	357	367
A602/440 Solar	186	251	289	326	372	410	434	428	440
A602/520 Solar	229	307	342	379	435	471	503	505	519
A602/625 Solar	275	369	410	455	523	565	604	606	623
A602/750 Solar	321	431	479	531	610	659	705	707	727
A602/850 Solar	368	520	614	681	729	782	827	822	845
A602/1130 Solar	491	694	818	908	973	1043	1102	1096	1126
A602/1415 Solar	614	867	1023	1135	1216	1304	1378	1370	1408
A602/1695 Solar	737	1041	1228	1362	1459	1565	1654	1644	1689
A602/1960C Solar	867	1222	1371	1593	1803	1942	2016	1957	1994
A602/2600 Solar	1047	1548	1782	2024	2276	2472	2599	2547	2613
A602/3270 Solar	1309	1935	2227	2530	2846	3090	3249	3184	3266
A602/3920 Solar	1571	2322	2673	3036	3415	3708	3899	3821	3919

### Drawings, terminal and torque



Not to scale!



20 Nm