

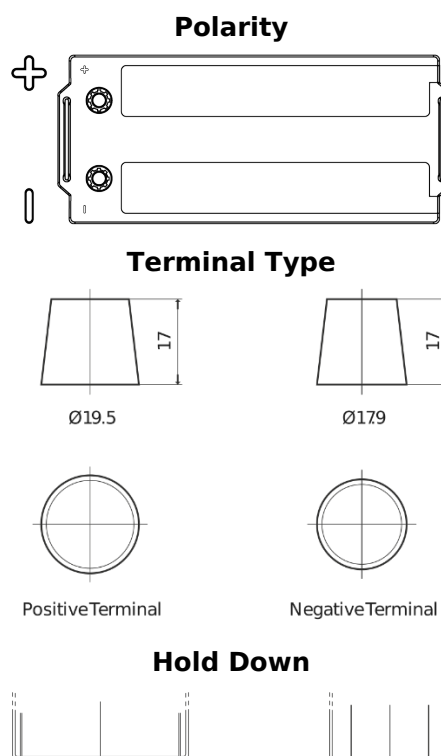
**Product overview**

Batteries for Trucks, Buses, Construction, Agriculture

**PowerPRO Agri&Construction TJ1723**



Part number	TJ1723
Technology	Flooded
EAN/GTIN	3661024056731
Voltage	12 V
Capacity	172 Ah
CCA	1390 A
Length	513 mm
Width	223 mm
Height	223 mm
Box size	D05
Polarity	ETN 3
Terminal Type	EN taper post
Hold Down	B0
Weights (subject of variation)	48.80 kg



Design, features and specifications are subject to change without notice. We disclaim any representation or warranty, express or implied, concerning the data or recommendations, and in no event shall be liable for any loss or damage claimed to have arisen as a result. Some products may not be available in your local market.