

# Powerfit S300

## Technical data sheet

### Technical features:

- Rechargeable VRLA batteries in which the electrolyte is fixed in a glass mat (AGM technology)
- Perfect combination of energy storage performance and reliability
- 5 years design life at 20 °C ambient temperature (80% remaining capacity)
- Maintenance-free (no topping up) during the whole service life
- Grid plate construction consisting of a lead calcium alloy
- Low gas emission due to high gas recombination of 99%
- Low self-discharge rate (about 3% / month at 20 °C)
- Container material conforms to UL 94 V-0

### Standards & certifications:

- No restrictions for rail, road, sea, and air transportation (IATA, DGR clause A67) – trouble-free transportation of operational blocks
- Designed in accordance with IEC 60896-21/22
- Completely recyclable



Nominal capacity  
2.1-38 Ah



Block battery



Grid plate



Recyclable



Valve regulated  
lead-acid  
batteries



Maintenance-free  
(no topping up)

### Technical characteristics and data

Type	Part number	Nom. voltage V	Nominal capacity			Length* (l) max. mm	Width* (w) max. mm	Height* (h) max. mm	Weight approx. kg	Internal-resistance acc. to IEC 60896-21 mOhm	Max. discharge current f. 5 sec. A	Terminal	VdS approval
			C <sub>20</sub> 1.75 Vpc 25 °C Ah	C <sub>10</sub> 1.75 Vpc 25 °C Ah	C <sub>1</sub> 1.6 Vpc 25 °C Ah								
S306/4 S	NAS3060004VW0SA	6	4.50	4.30	2.83	70.0	47.0	106	0.81	25.0	67.5	S-4.8	
S306/12 S	NAS3060012VW0SA	6	12.0	11.4	7.49	151	51.0	100	1.95	15.0	180	S-4.8	G 112097
S312/2.3 S	NAS31202D3VW0SA	12	2.10	1.90	1.31	178	35.0	66.0	0.96	90.0	31.5	S-4.8	G 112094
S312/3.2 S	NAS31203D2VW0SA	12	3.40	3.20	2.23	134	67.0	67.0	1.35	45.0	51.0	S-4.8	G 112095
S312/4 S	NAS3120004VW0SA	12	4.50	4.30	2.83	90.0	70.0	107	1.45	67.5	40.0	S-4.8	
S312/7 S	NAS3120007VW0SA	12	7.20	6.86	4.49	152	66.0	100	2.50	18.0	108	S-4.8	G 112096
S312/7 SR	NAS3120007VW0RA	12	7.20	6.86	4.49	152	66.0	100	2.50	18.0	108	SR-6.3	G 112096
S312/12 S	NAS3120012VW0SA	12	12.0	11.4	7.49	152	98.0	102	3.80	14.0	180	S-4.8	G 112098
S312/12 SR	NAS3120012VW0RA	12	12.0	11.4	7.49	152	98.0	102	3.80	14.0	180	SR-6.3	G 112098
S312/18 F5	NAS3120018VW0FA	12	18.0	17.2	11.2	182	77.0	168	5.80	16.0	270	F-M5	G 112099
S312/26 F5	NAS3120026VW0FA	12	26.0	24.8	16.2	167	175	125	8.00	14.0	390	F-M5	G 112100
S312/40 F6	NAS3120040VW0FA	12	38.0	36.5	22.0	197	165	170	13.2	10.0	456	F-M6	G 112101

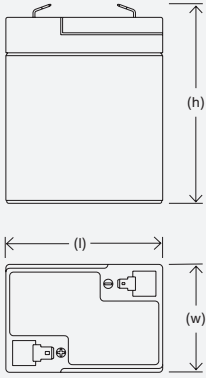
\* ± 2 mm

# Powerfit S300

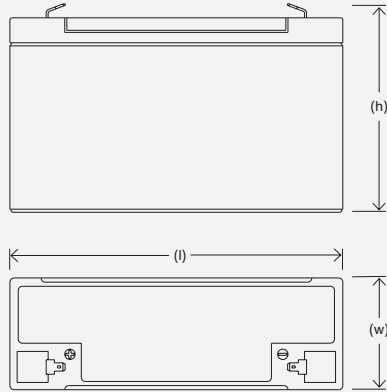
## Technical data sheet

### Drawings

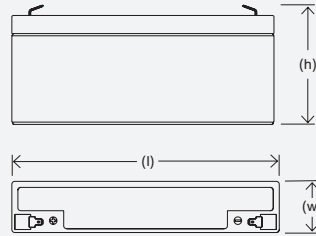
S306/4 S



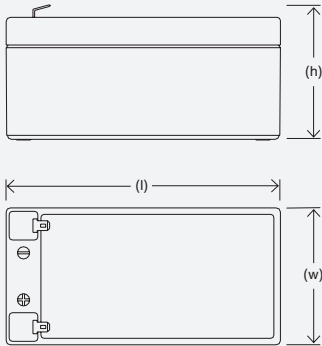
S306/12 S



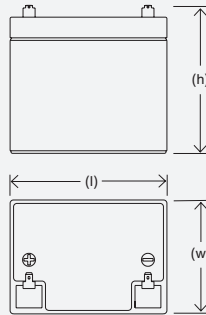
S312/2,3 S



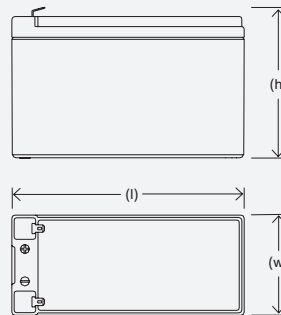
S312/3,2 S



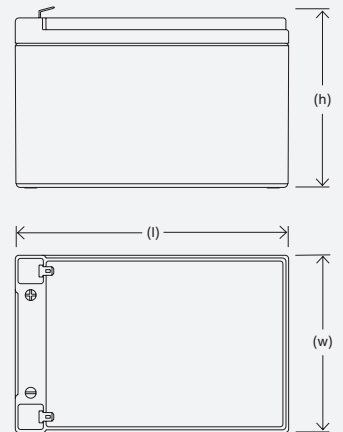
S312/4 S



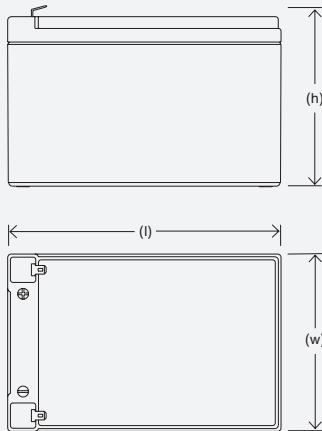
S312/7 S  
S312/7 SR



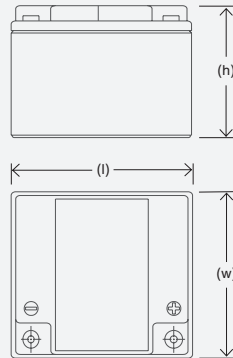
S312/12 S  
S312/12 SR



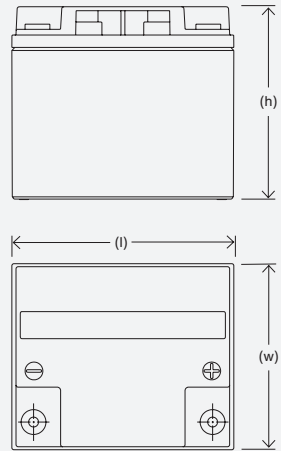
S312/18 F5



S312/26 F5



S312/40 F6



Not to scale!

# Powerfit S300

## Technical data sheet

### Container, approval and terminal

Container: UL 94 V-0 = ABS

Approval: VdS (types see characteristics table)

