

Classic OPzS Solar

Technical data sheet

Technical features:

- Nominal capacity (C_{120} at 25 °C): 82.7-4600 Ah
- Very thick tubular positive plates for the most demanding applications
- Up to 2800 cycles at 60% depth of discharge (C_{10}) with IU charging profile at 20 °C. For enhanced performance and for systems ≥ 48 V we recommend IUI charging to reach 3000 cycles and more*.
- Screw connectors for a better contact and reliability
- Also available in dry-charged version with separate electrolyte
- High quality transparent or translucent containers for easy maintenance



Nominal capacity
82.7-4600 Ah



Block battery/
single cell



Tubular plate



3000+ cycles* at 60%
depth of discharge



Recyclable



Low maintenance

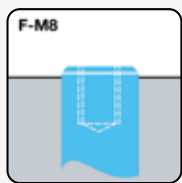
* Using IUI charging at 20 °C

Terminal and torque

Data is also valid for dry charged version.

Change **W** (Wet) to **D** (Dry) in the part number. E.g.:

- filled and charged: NVSL023100 **W** C0FA
- dry charged: NVSL023100 **D** C0FA



12 Nm for blocks;
20 Nm for cells

Classic OPzS Solar

Technical data sheet

Technical characteristics and data

Type	Part number	Nom. voltage	Nominal capacity	Length	Installed length	Width	Height*	Weight incl. acid**	Weight acid***	Internal resistance	Short circuit current	Terminal	Pole pairs
		V	$C_{120} 1.85 \text{ Vpc}$ 25 °C	(l)	(L)	(w)	(h)	approx. kg	approx. kg	mOhm	A		
			Ah	max. mm	max. mm	max. mm	max. mm						
OPzS Solar 190	NVSL020190WC0FB	2	190	105	115	208	395	13.7	5.20	1.45	1400	F-M8	1
OPzS Solar 245	NVSL020245WC0FB	2	245	105	115	208	395	15.2	5.00	1.05	1950	F-M8	1
OPzS Solar 305	NVSL020305WC0FB	2	305	105	115	208	395	16.6	4.60	0.83	2450	F-M8	1
OPzS Solar 380	NVSL020380WC0FB	2	380	126	136	208	395	20.0	5.80	0.72	2850	F-M8	1
OPzS Solar 450	NVSL020450WC0FB	2	450	147	157	208	395	23.3	6.90	0.63	3250	F-M8	1
OPzS Solar 550	NVSL020550WC0FB	2	550	126	136	208	511	26.7	8.10	0.63	3250	F-M8	1
OPzS Solar 660	NVSL020660WC0FB	2	660	147	157	208	511	31.0	9.30	0.56	3650	F-M8	1
OPzS Solar 765	NVSL020765WC0FB	2	765	168	178	208	511	35.4	10.8	0.50	4100	F-M8	1
OPzS Solar 985	NVSL020985WC0FC	2	985	147	157	208	686	43.9	13.0	0.47	4350	F-M8	1
OPzS Solar 1080	NVSL021080WC0FC	2	1080	147	157	208	686	47.2	12.8	0.43	4800	F-M8	1
OPzS Solar 1320	NVSL021320WC0FB	2	1320	212	222	193	686	59.9	17.1	0.30	6800	F-M8	2
OPzS Solar 1410	NVSL021410WC0FB	2	1410	212	222	193	686	63.4	16.8	0.27	7500	F-M8	2
OPzS Solar 1650	NVSL021650WC0FB	2	1650	212	222	235	686	73.2	21.7	0.26	7900	F-M8	2
OPzS Solar 1990	NVSL021990WC0FB	2	1990	212	222	277	686	86.4	26.1	0.23	8900	F-M8	2
OPzS Solar 2350	NVSL022350WC0FB	2	2350	212	222	277	836	108	33.7	0.24	8500	F-M8	2
OPzS Solar 2500	NVSL022500WC0FB	2	2500	212	222	277	836	114	32.7	0.22	9300	F-M8	2
OPzS Solar 3100	NVSL023100WC0FA	2	3100	215	225	400	812	151	50.0	0.16	12800	F-M8	3
OPzS Solar 3350	NVSL023350WC0FA	2	3350	215	225	400	812	158	48.0	0.14	14600	F-M8	3
OPzS Solar 3850	NVSL023850WC0FA	2	3850	215	225	490	812	184	60.0	0.12	17000	F-M8	4
OPzS Solar 4100	NVSL024100WC0FA	2	4100	215	225	490	812	191	58.0	0.11	17800	F-M8	4
OPzS Solar 4600	NVSL024600WC0FA	2	4600	215	225	580	812	217	71.0	0.11	18600	F-M8	4
6V 4 OPzS 200 LA	NVZS060200WC0FB	6	294	272	282	206	347	41.0	13.0	2.68	2283	F-M8	1
6V 5 OPzS 250 LA	NVZS060250WC0FB	6	364	380	392	206	347	56.0	20.0	2.39	2800	F-M8	1
6V 6 OPzS 300 LA	NVZS060300WC0FB	6	417	380	392	206	347	63.0	20.0	1.96	3106	F-M8	1
12V 1 OPzS 50 LA	NVZS120050WC0FB	12	82.7	272	282	206	347	35.0	15.0	18.1	688	F-M8	1
12V 2 OPzS 100 LA	NVZS120100WC0FB	12	139	272	282	206	347	45.0	14.0	9.26	1314	F-M8	1
12V 3 OPzS 150 LA	NVZS120150WC0FB	12	210	380	392	206	347	64.0	19.0	6.46	1884	F-M8	1

* Includes installed connector, the above mentioned height can differ depending on the used vent(s).

** Filled and charged cell weights +/- 5%

*** Acid density $d_4 = 1.24 \text{ kg/l}$

Classic OPzS Solar

Technical data sheet

Capacities $C_6 - C_{240}$ (25 °C) in Ah

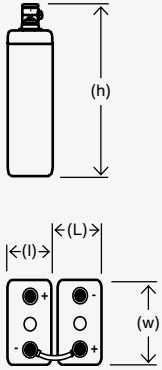
Type	C_6 1.75 Vpc	C_{10} 1.80 Vpc	C_{12} 1.80 Vpc	C_{24} 1.80 Vpc	C_{48} 1.80 Vpc	C_{72} 1.80 Vpc	C_{100} 1.85 Vpc	C_{120} 1.85 Vpc	C_{240} 1.85 Vpc
OPzS Solar 190	122	132	134	145	165	175	185	190	200
OPzS Solar 245	159	173	176	190	215	230	240	245	260
OPzS Solar 305	203	220	224	240	270	285	300	305	320
OPzS Solar 380	250	273	277	300	330	350	370	380	400
OPzS Solar 450	296	325	330	355	395	420	440	450	470
OPzS Solar 550	353	391	398	430	480	515	540	550	580
OPzS Solar 660	422	469	477	515	575	615	645	660	695
OPzS Solar 765	492	546	555	600	670	710	750	765	805
OPzS Solar 985	606	700	710	770	860	920	970	985	1035
OPzS Solar 1080	669	800	812	845	940	1000	1055	1080	1100
OPzS Solar 1320	820	937	950	1030	1150	1230	1295	1320	1385
OPzS Solar 1410	888	1009	1024	1105	1225	1305	1380	1410	1440
OPzS Solar 1650	1024	1174	1190	1290	1440	1540	1620	1650	1730
OPzS Solar 1990	1218	1411	1430	1550	1730	1850	1950	1990	2090
OPzS Solar 2350	1573	1751	1770	1910	2090	2200	2300	2350	2470
OPzS Solar 2500	1667	1854	1875	2015	2215	2335	2445	2500	2600
OPzS Solar 3100	2080	2318	2343	2520	2755	2910	3040	3100	3250
OPzS Solar 3350	2268	2524	2550	2740	2985	3135	3280	3350	3520
OPzS Solar 3850	2592	2884	2915	3135	3430	3615	3765	3850	4040
OPzS Solar 4100	2775	3090	3125	3355	3650	3840	4000	4100	4300
OPzS Solar 4600	3099	3451	3490	3765	4100	4300	4500	4600	4850
6V 4 OPzS 200 LA	203	206	229	250	296	304	287	294	338
6V 5 OPzS 250 LA	245	257	284	311	374	383	355	364	424
6V 6 OPzS 300 LA	284	309	322	354	420	432	408	417	482
12V 1 OPzS 50 LA	55.0	51.5	63.7	69.4	78.4	79.8	81.0	82.7	92.9
12V 2 OPzS 100 LA	95.4	103	108	118	141	145	136	139	162
12V 3 OPzS 150 LA	131	154	162	177	206	217	203	210	234

Classic OPzS Solar

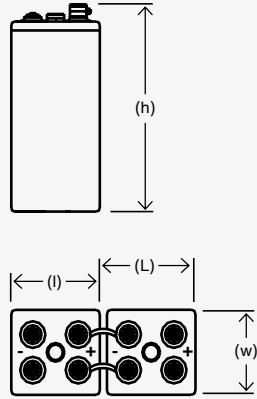
Technical data sheet

Drawings

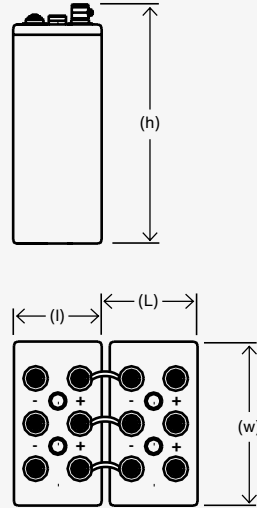
OPzS Solar 190 -
OPzS Solar 1080



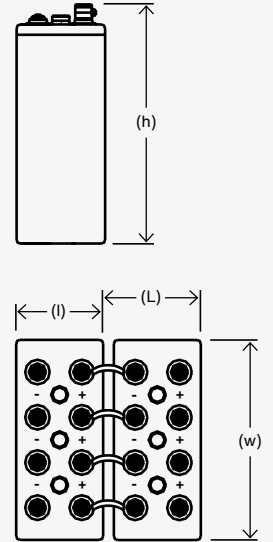
OPzS Solar 1320 -
OPzS Solar 2500



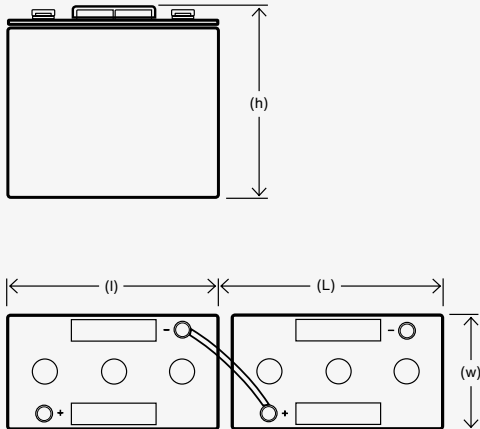
OPzS Solar 3100 -
OPzS Solar 3350



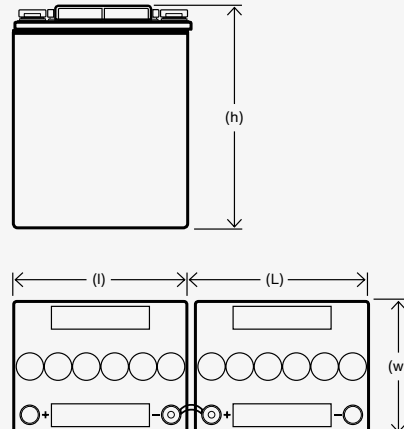
OPzS Solar 3850 -
OPzS Solar 4600



6V 4 OPzS 200 LA -
6V 6 OPzS 300 LA



12V 1 OPzS 50 LA -
12V 3 OPzS 150 LA



Not to scale!