

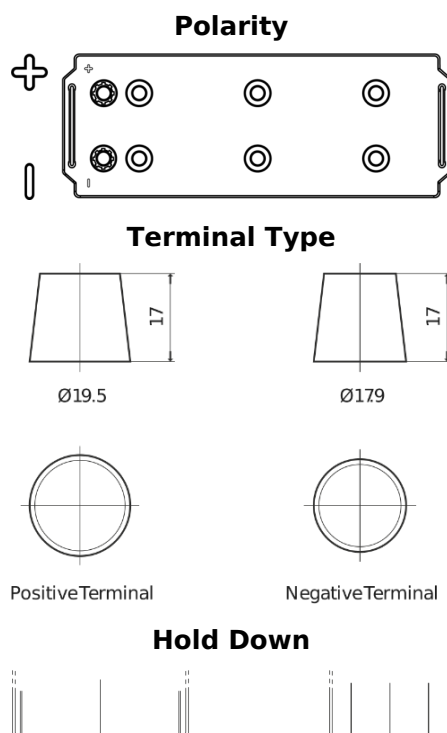
Product overview

Batteries for Marine and Leisure

Start TN900



Part number	TN900
Technology	Flooded
EAN/GTIN	3661024046060
Voltage	12 V
Capacity	140.0 Ah
CCA	800 A
MCA	900
Length	513 mm
Width	189 mm
Height	223 mm
Box size	D04
Polarity	ETN 3
Terminal Type	EN taper post
Hold Down	B0
Weights (subject of variation)	34.10 kg



Design, features and specifications are subject to change without notice. We disclaim any representation or warranty, express or implied, concerning the data or recommendations, and in no event shall be liable for any loss or damage claimed to have arisen as a result. Some products may not be available in your local market.