

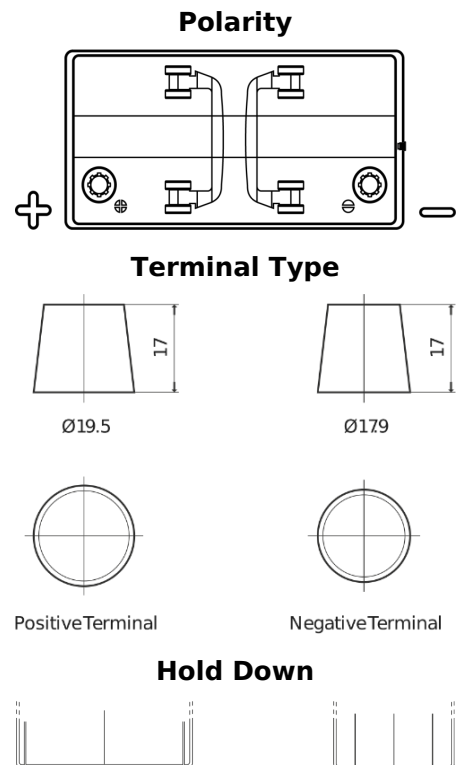
Product overview

Batteries for Marine and Leisure

Dual SR550



Part number	SR550
Technology	Flooded
EAN/GTIN	3661024065986
Voltage	12 V
Capacity	115.0 Ah
CCA	760 A
Watt hour	550 Wh
Length	349 mm
Width	175 mm
Height	235 mm
Box size	D02
Polarity	ETN 1
Terminal Type	EN taper post
Hold Down	B0
Weights (subject of variation)	27.80 kg



Design, features and specifications are subject to change without notice. We disclaim any representation or warranty, express or implied, concerning the data or recommendations, and in no event shall be liable for any loss or damage claimed to have arisen as a result. Some products may not be available in your local market.