

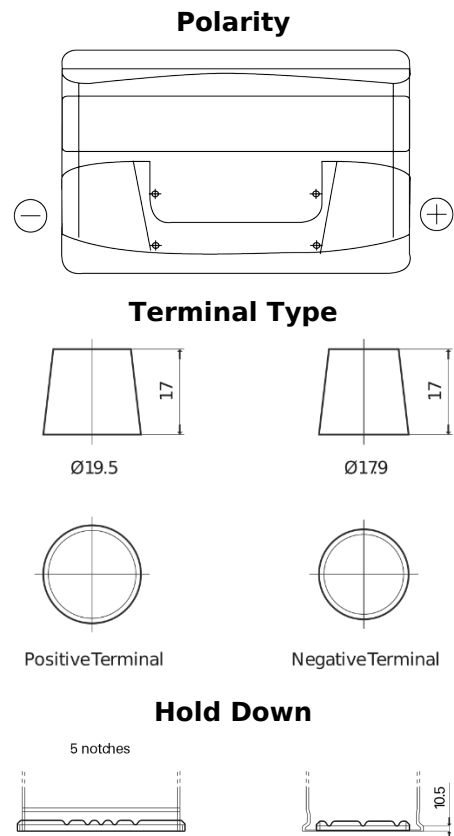
Product overview

Batteries for Cars

Formula FB1000



Part number	FB1000
Technology	Flooded
EAN/GTIN	3661024044714
Voltage	12 V
Capacity	100.0 Ah
CCA	720 A
Length	315 mm
Width	175 mm
Height	205 mm
Box size	LH4
Polarity	ETN 0
Terminal Type	EN taper post
Hold Down	B13
Weights (subject of variation)	21.90 kg



Design, features and specifications are subject to change without notice. We disclaim any representation or warranty, express or implied, concerning the data or recommendations, and in no event shall be liable for any loss or damage claimed to have arisen as a result. Some products may not be available in your local market.