

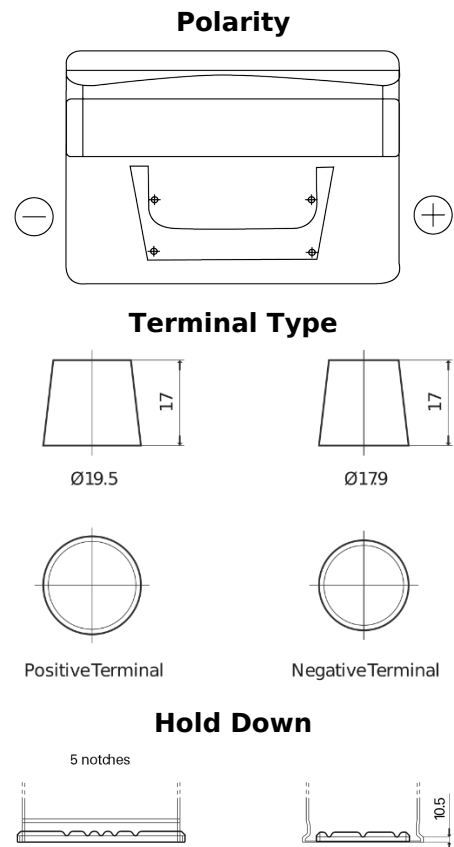
**Product overview**

Batteries for Cars

**Standard FC542**



Part number	FC542
Technology	Flooded
EAN/GTIN	3661024044851
Voltage	12 V
Capacity	54.0 Ah
CCA	500 A
Length	242 mm
Width	175 mm
Height	175 mm
Box size	LB2
Polarity	ETN 0
Terminal Type	EN taper post
Hold Down	B13
Weights (subject of variation)	12.90 kg



Design, features and specifications are subject to change without notice. We disclaim any representation or warranty, express or implied, concerning the data or recommendations, and in no event shall be liable for any loss or damage claimed to have arisen as a result. Some products may not be available in your local market.