

Product overview

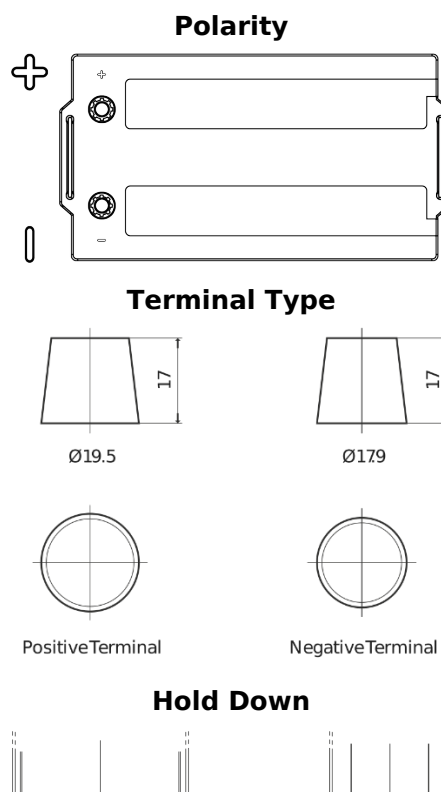


Batteries for Trucks, Buses, Construction, Agriculture

PowerPRO CF2353



| | |
|--------------------------------|---------------|
| Part number | CF2353 |
| Technology | Flooded |
| EAN/GTIN | 3661024015325 |
| Voltage | 12 V |
| Capacity | 235 Ah |
| CCA | 1300 A |
| Length | 518 mm |
| Width | 274 mm |
| Height | 240 mm |
| Box size | D06 |
| Polarity | ETN 3 |
| Terminal Type | EN taper post |
| Hold Down | B0 |
| Weights (subject of variation) | 56.30 kg |



Design, features and specifications are subject to change without notice. We disclaim any representation or warranty, express or implied, concerning the data or recommendations, and in no event shall be liable for any loss or damage claimed to have arisen as a result. Some products may not be available in your local market.