

Solution Light Traction

Technical data sheet

Applications



Cleaning machines



Pallet trucks

Technical characteristics and data

Specifications	LTB240250	LTB24050P	LTB24100P
Nominal voltage [V]	25.6	25.6	25.6
Nominal capacity (C5) [Ah]	25.0	50.0	100.0
Nominal energy [kWh]	0.64	1.28	2.56
Weight (approx.) [kg ± 5%]	7.0	12.0	23.0
Dimension incl. terminals LxWxH [mm]	196 x 165 x 175	318 x 165 x 215	505 x 172 x 247
Max. continuous discharge current [A]	25.0	50.0	80.0
Max. peak discharge current (10 sec) [A]	60.0	120.0	120.0 (30s)
End of discharge voltage [V]	< 22.0	< 22.0	< 22.0
Recommended charge current [A]	≤ 20.0	≤ 40.0	≤ 50.0
Charging voltage range [V]	27.6 to 28.8	27.8 to 28.8	27.8 to 28.8
Recommended charge voltage [A]	28.0	28.0	28.0
Float charging voltage [V]	27.6 ± 0.2	27.6 ± 0.2	27.6 ± 0.2
Gravimetric energy (Wh/kg)	106.7	102.4	106.7
Volumetric energy (Wh/L)	113.1	113.5	119.3
Terminal	FM6	FM8	FM8
Cycle life at 0.2C at 80% DoD and 25 °C	4000 cycles*		
LCD (SOC, Ah, t, V, A, W)	Wired Display RJ45 with serial connection via RJ45, cable length 2m		
External communication	No		
Max. system voltage [V]	25.6		
Parallel connection	up to 4 modules		
Series connection	No		
Chemistry	LFP (Lithium Iron Phosphate)		
Water/dust protection	IP54 (module)/IP44 (with display fitted)		
Charging temperature [°C]	0 to +45		
Discharge temperature [°C]	-20 to +55		
Storage temperature [°C]	-20 to +55		
Storage relative humidity [%]	25 to 75		
Certifications	UN38.3 / CE / UKCA / IEC62619 / IEC62133		
Shipping classification	UN3480, Class 9		

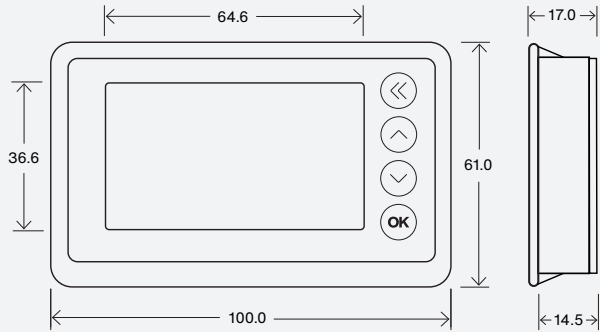
* Higher temperatures or higher discharge currents reduce the cycle life

Solition Light Traction

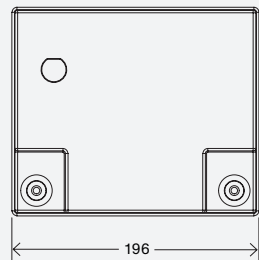
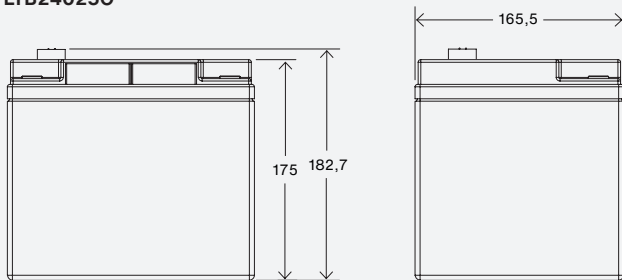
Technical data sheet

Technical drawing

Battery display



LTB240250



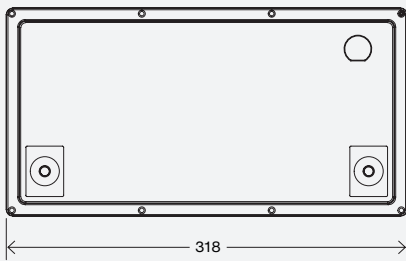
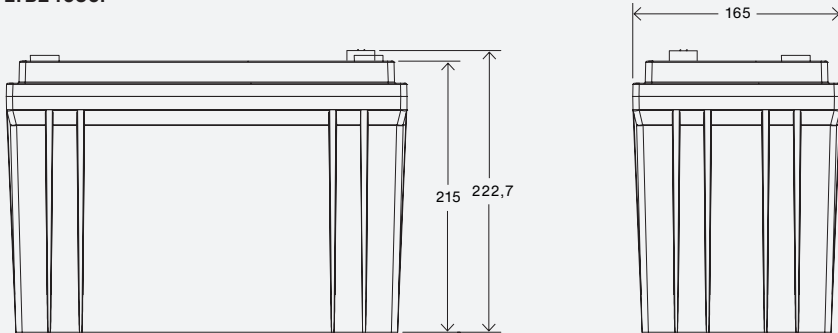
Not to scale!

Solition Light Traction

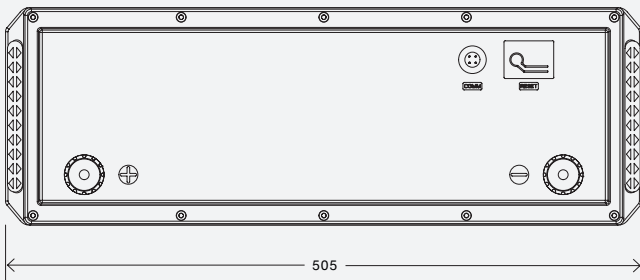
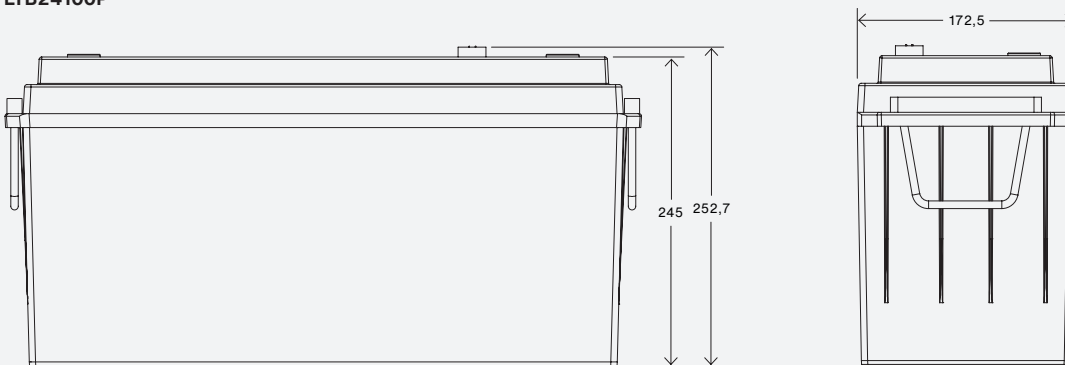
Technical data sheet

Technical drawing

LTB24050P



LTB24100P



Not to scale!