

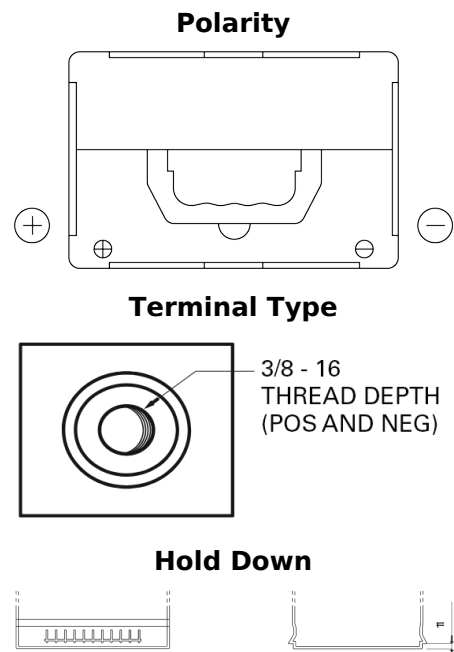
Product overview

Batteries for Cars

Excell EB558



Part number	EB558
Technology	Flooded
EAN/GTIN	3661024037419
Voltage	12 V
Capacity	55 Ah
CCA	620 A
Length	230 mm
Width	180 mm
Height	186 mm
Box size	G75
Polarity	ETN 1
Terminal Type	SAE S 3/8" side Terminal
Hold Down	B7
Weights (subject of variation)	14.20 kg



Design, features and specifications are subject to change without notice. We disclaim any representation or warranty, express or implied, concerning the data or recommendations, and in no event shall be liable for any loss or damage claimed to have arisen as a result. Some products may not be available in your local market.