



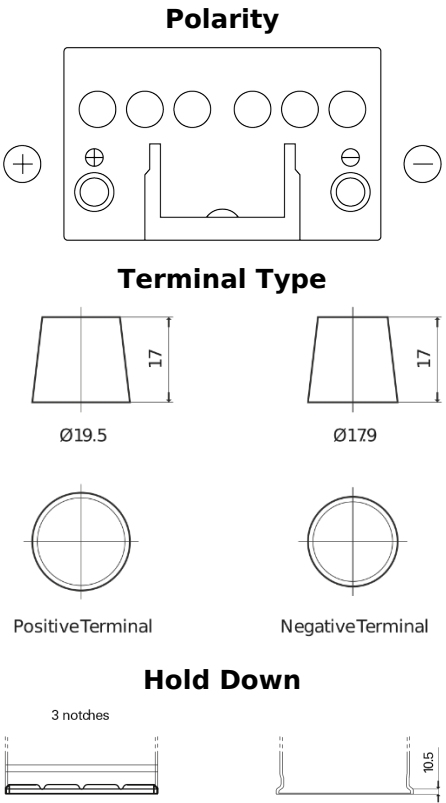
**Product overview**

Batteries for Cars

**Formula FB451**



Part number	FB451
Technology	Flooded
EAN/GTIN	3661024044486
Voltage	12 V
Capacity	45 Ah
CCA	330 A
Length	220 mm
Width	135 mm
Height	225 mm
Box size	E02
Polarity	ETN 1
Terminal Type	EN taper post
Hold Down	B1
Weights (subject of variation)	12.50 kg



Design, features and specifications are subject to change without notice. We disclaim any representation or warranty, express or implied, concerning the data or recommendations, and in no event shall be liable for any loss or damage claimed to have arisen as a result. Some products may not be available in your local market.