

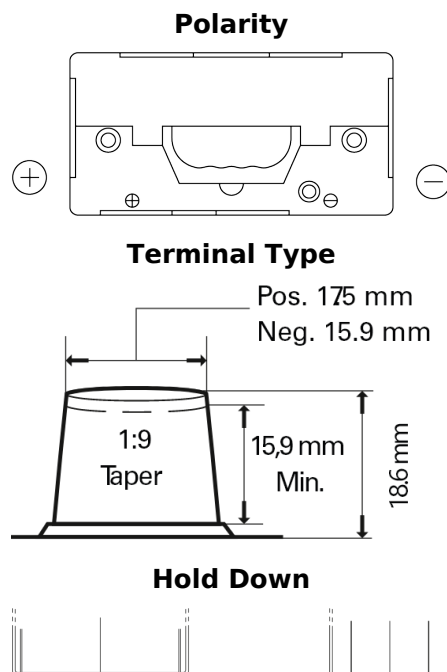
Product overview

Batteries for Trucks, Buses, Construction, Agriculture

StartPRO TG110B



Part number	TG110B
Technology	Flooded
EAN/GTIN	3661024055567
Voltage	12 V
Capacity	110 Ah
CCA	950 A
Length	330 mm
Width	173 mm
Height	240 mm
Box size	G31
Polarity	ETN 9
Terminal Type	SAE A taper post
Hold Down	B0
Weights (subject of variation)	25.90 kg



Design, features and specifications are subject to change without notice. We disclaim any representation or warranty, express or implied, concerning the data or recommendations, and in no event shall be liable for any loss or damage claimed to have arisen as a result. Some products may not be available in your local market.