

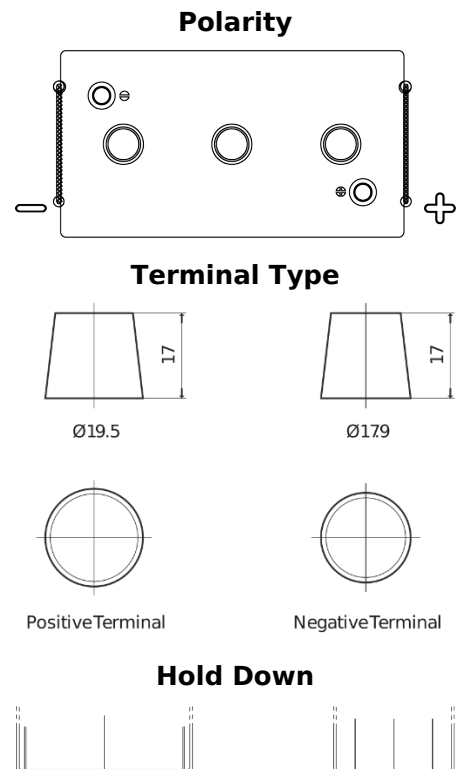
Product overview

Batteries for Marine and Leisure

Vintage EU165-6



Part number	EU165-6
Technology	Flooded
EAN/GTIN	3661024036146
Voltage	6 V
Capacity	165.0 Ah
CCA	900 A
Length	330 mm
Width	174 mm
Height	234 mm
Box size	M05
Polarity	ETN 0
Terminal Type	EN taper post
Hold Down	B0
Weights (subject of variation)	25.00 kg



Design, features and specifications are subject to change without notice. We disclaim any representation or warranty, express or implied, concerning the data or recommendations, and in no event shall be liable for any loss or damage claimed to have arisen as a result. Some products may not be available in your local market.