

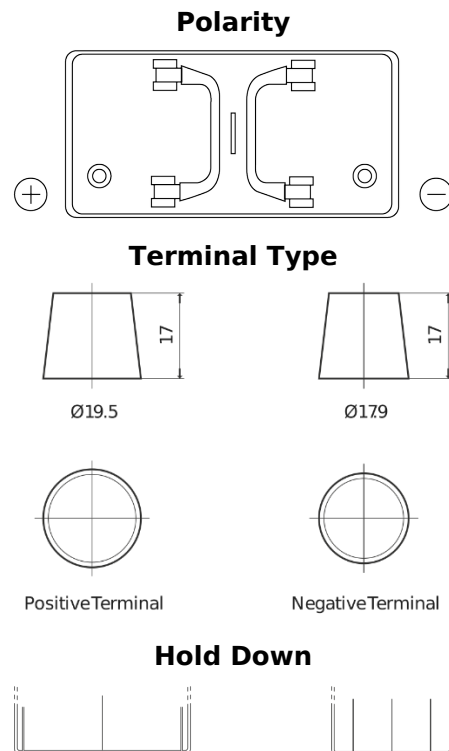
Product overview

Batteries for Trucks, Buses, Construction, Agriculture

PowerPRO EF1251



Part number	EF1251
Technology	Flooded
EAN/GTIN	3661024037952
Voltage	12 V
Capacity	125.0 Ah
CCA	850 A
Length	349 mm
Width	175 mm
Height	285 mm
Box size	D03
Polarity	ETN 1
Terminal Type	EN taper post
Hold Down	B0
Weights (subject of variation)	31.00 kg



Design, features and specifications are subject to change without notice. We disclaim any representation or warranty, express or implied, concerning the data or recommendations, and in no event shall be liable for any loss or damage claimed to have arisen as a result. Some products may not be available in your local market.